

A0113

Elliptical Push Button
(EL)



Technical Data

Features

Made of high quality technical plastic.

New Design style.

Robust assembly.

Large number of colours available.

Illumination with Led or T10 Lamp.

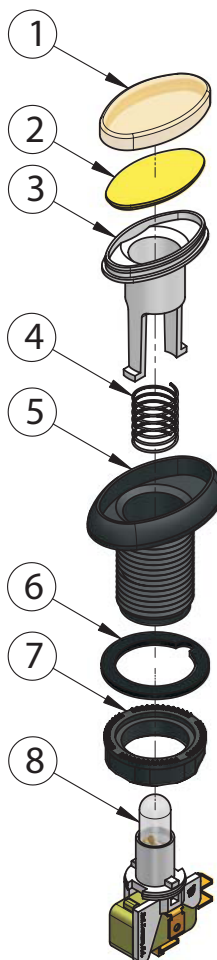
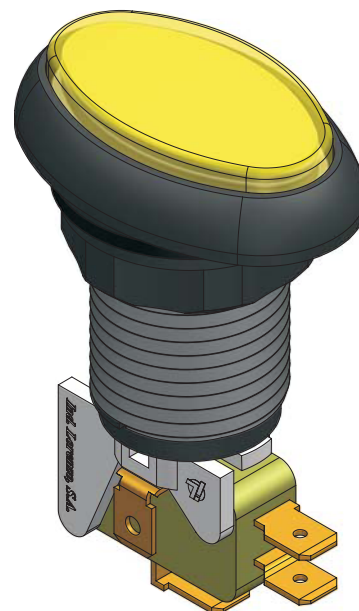
Microswitch variety.

Applications

Gaming machines where elliptical Push Button, modern and robust are needed.

The I.P.B. A0113 EL is known in the Gaming and Amusement market by its elliptical shape.

The I.P.B. A0113 is available in two kinds of fixation, standard Plug-in and Easy Clip System (ECS A01B3).



(1) LENS CAP "EL"

# PART NUMBER	MATERIAL	COLOUR
C-01-50113001	PC (Clear)	RED
C-01-50113002		YELLOW
C-01-50113003		GREEN
C-01-50113004		AMBER
C-01-50113005		BLUE
C-01-50113006		TRANSPARENT
C-01-50113037	PC (Black)	—

(2) PLASTIC LEGEND "EL"

# PART NUMBER	MATERIAL	COLOUR
C-01-51113001	PS	RED
C-01-51113002		YELLOW
C-01-51113003		GREEN
C-01-51113004		AMBER
C-01-51113005		BLUE
C-01-51113006		WHITE
C-01-51113066	PC	OPAL

(5) I.P.B. BEZEL "EL"

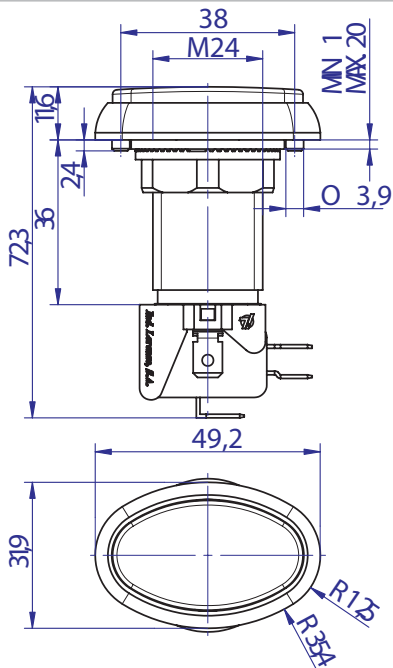
# PART NUMBER	MATERIAL	COLOUR
C-01-01113810	A.B.S. (Natural)	—
C-01-01113817	A.B.S.	BLACK
S-01-011138102		GOLDEN CHROMED
C-01-01113831	PC	RED
C-01-01113833		GREEN
C-01-01113834		AMBER
C-01-01113835		BLUE
C-01-01113836		TRANSPARENT
C-01-01113837		BLACK
C-01-0111383V		GREEN (USA)

A0113

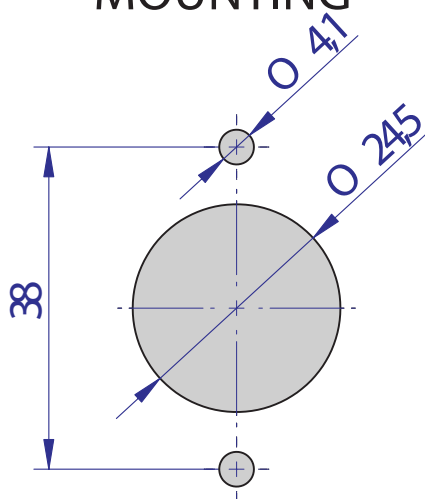
Elliptical Push Button
(EL)



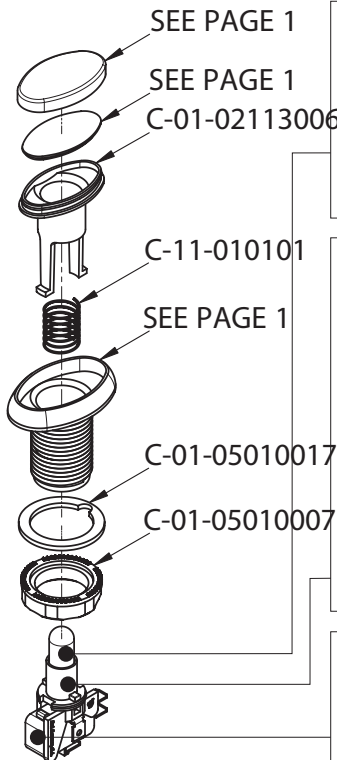
Technical Data



PANEL MOUNTING



Dimensions



Available Lamps:

- T-10 12V 2,2W
 - T-10 12V 1,5W
 - T-10 12V 1,2W
 - T-10 6V 2,0W
 - T-10 6V 1,5W
 - T-10 24V 2,0W
 - T-10 28V 1,6W
- Also available triple "Led" C-08-P3312X

Red LED of 8mm. (Large PCB)

Red LED of 8mm. (Small PCB)

Red LED of 3mm. (Large PCB)



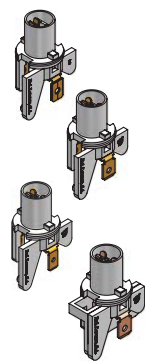
Lampholder:

Standard Lampholder for standard Microswitches. Fast-on 6,35x0,4

Standard Lampholder for standard Microswitches. Fast-on 6,35x0,7

Standard Lampholder for standard Microswitches. Fast-on 4,75x0,7

Standard Lampholder for standard Microswitches. Fast-on 6,35x0,7



Available Microswitches:

- SAIA 3t (6,35 mm)
- Honeywell 2t (6,35 mm)
- Cherry 3t (6,35 mm)
- Cherry 3t (4,75 mm)

Exploded view

NOTE: Some modifications or adaptations might be available under special request.

www.aus.at

Contact
Tel: +43(0) 1 27166 00
e-mail: sales@aus.at
Scheydgasse 48
A-1210 Wien
Austria

English Rev:1.0.0