

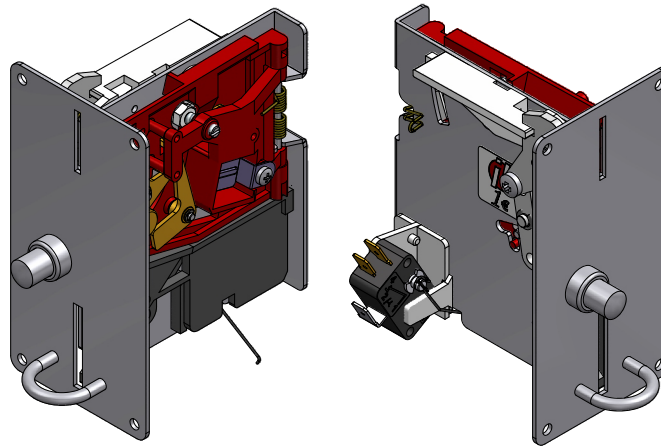
## Technical Data

### Features

- Inox front plate
- Robust and resistant design
- With counter and signal switch
- Mechanical Selector of precision

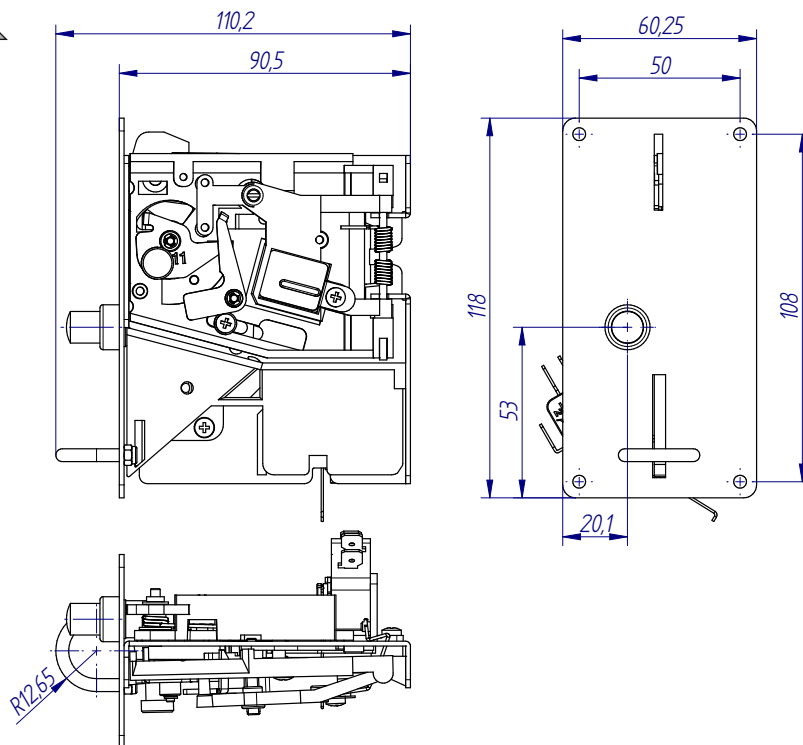
### Applications

- Slot Machines
- Car Wash and suction machines
- In general for machines where it is needed to install a simple coin selector



The MINI FRONT PLATE WITH PUSH BUTTON is a competitive and versatile product, easy to install and to keep up. The FRONT PLATE can be found on diverse applications from kiddies ride machines in malls up to photocopier machines in universities. This MINI FRONT PLATE uses a mechanical coin selector with signal actuator switch. Its design is unique and robust. The quality of the materials that are used assure a great durability and resistance.

### View



**NOTE:** Some modifications or adaptations might be available under special request.

**www.aus.at**

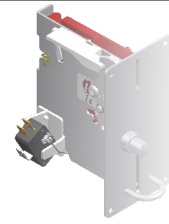
**Contact**  
Tel: +43 (0) 1 271 66 00  
e-mail: sales@aus.at  
Scheydgasse 48  
A-1210 Wien (Austria)

🇬🇧 English Rev:1.0.0



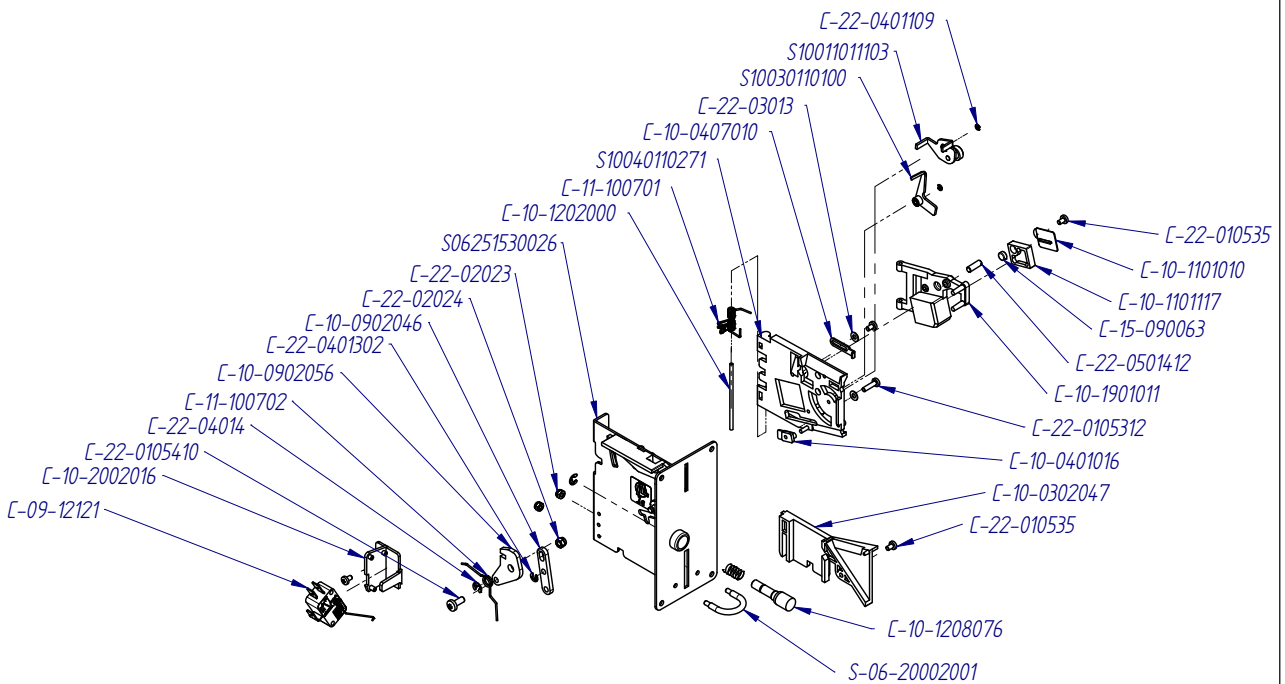
A.u.S. SPIELGERÄTE GMBH  
SCHEYDGASSE 48, AT 1210 WIEN  
☎ +43 (0) 1 271 66 00 65 FAX +43 (0) 1 271 66 00 75  
🌐 www.aus.at ✉ verkauf@aus.at

MINI FRONT PLATE "N" WITH FRONTAL INOX SHEET 1EU WITH SWITCH



Technical Data

Exploded view



**NOTE:** Some modifications or adaptations might be available under special request.

[www.aus.at](http://www.aus.at)

English Rev:1.0.0

Contact

Contact  
 Tel: +43 (0) 1 271 66 00  
 e-mail: sales@aus.at  
 Scheydgasse 48  
 A-1210 Wien (Austria)